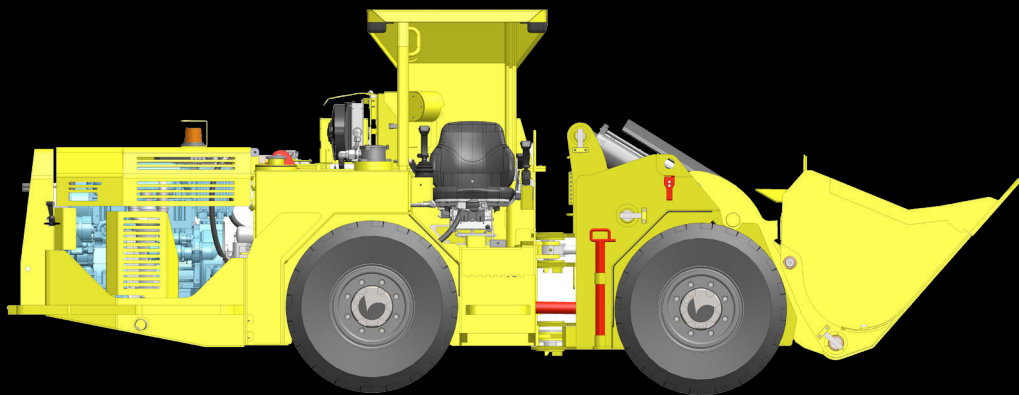




Leader in mining and underground solutions

L130D miniLoader®

Diesel power technical specifications



Capacity 1200kg

Bucket 0,5 to 0,75 m³

Width 1040 mm

Power Diesel Purified

Electric Version Also

The miniLoader L130D, is specially designed for underground mining works in narrow section and narrow vein mining. With a width of 1.04m and a tramping capacity of 1.2 tonnes, the L130 is ideal to raise your productivity without the need of increasing your gallery sections. Its modern transmission and components result in a high reliability with simple maintenance and fully safe operation.

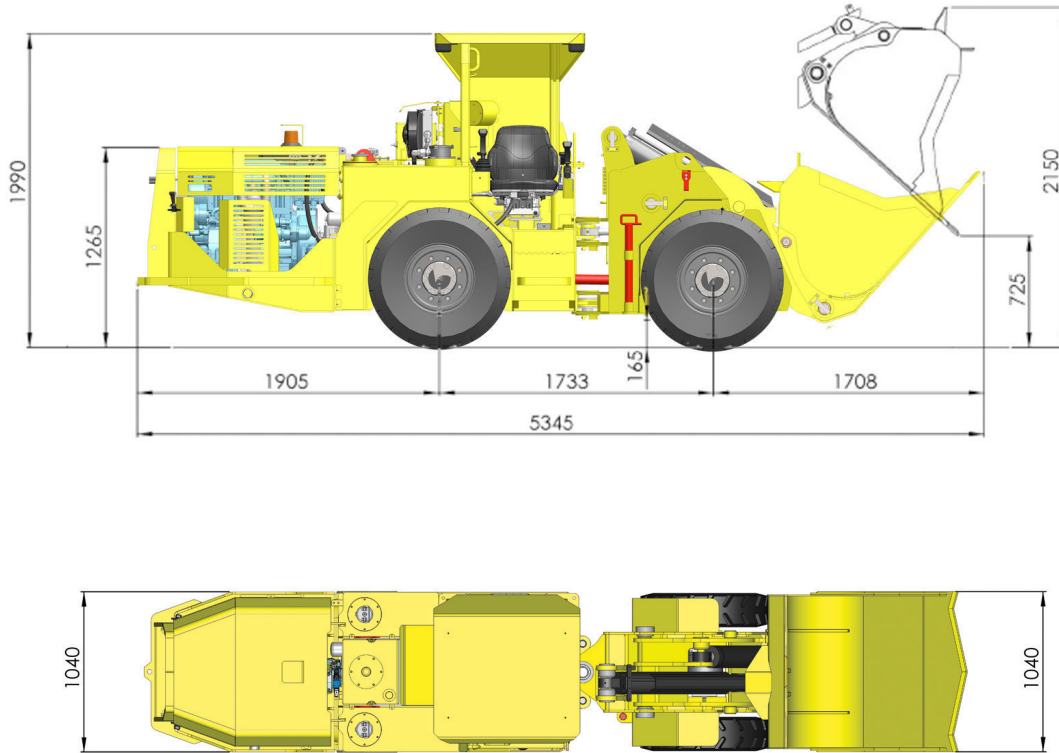
The chassis and articulations are designed for the toughest application, in order to allow a high availability with a longer life time.

The operator's compartment is side seated to comply perfectly with the underground requirements, with smooth and ergonomically located joysticks to offer comfort and safety to the operator and maintenance personnel.

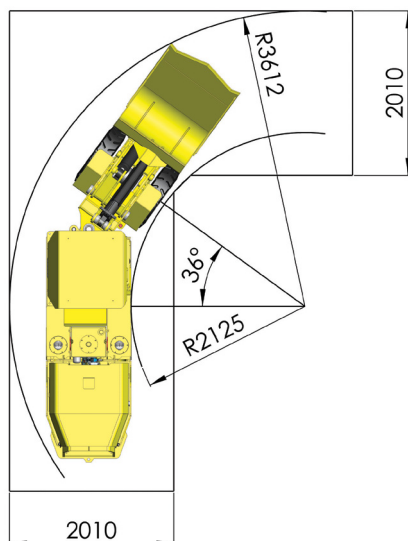
The electric version of the miniLoader L130 fitted with a simple and robust cable reel designed for tramping and equipped with an automatic cable tension system, allows the utilization of the miniLoader with less noise and low ventilation.

SPECIFICATIONS

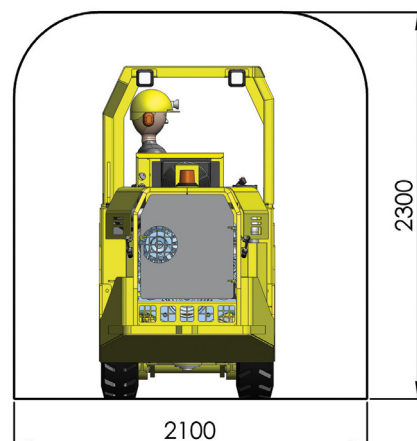
DIMENSIONS (0,6m³ bucket view)



TURNING RADIUS (0,6m³ bucket view)



RECOMMENDED DRIFT SIZE (Canopy mounted)



SPECIFICATIONS

CAPACITY

Tramming Capacity 1 200 kg
Static Tipping Load 30 kN
Breakout Force, tilt (SAE) 40 kN
Breakout Force, lift (SAE) 34 kN
Empty weight. 4 600 kg
 Empty, Front 1 400 kg /Rear 3 200 kg
 Loaded, Front 3 200 kg /Rear 2 600 kg
Standard bucket volume : 0,6m³

Density (t/m³)	1.6	2.0	2.4
Volume (m³)	0.75	0.6	0.5
Width (mm)	1205	1040	1040

SPEED

Vehicle Speed Loaded: 0 to 8,5 km/h
Bucket and Boom speed:
Boom: Raising 4,2s / Lowering 3,2s
Bucket: Roll Back 4,9s / Dumping 6,4s

DIESEL ENGINE & SYSTEM

Choice between 2 engines:

DEUTZ

Model D914L4-CE: III3A and available MSHA certified (53kW)

OPTION:

Model BF4L914 High Altitude (53kW)

Exhaust: Catalytic purifier and Silencer

Required Ventilation: 86m³/min

TRANSMISSION

Hydrostatic Transmission fully reversible

Pump: variable displacement 71 cm³ @ 320 bars

Motor: Fixed displacement 58 cm³

FRONT AND REAR AXLES

Front & Rear axles , Aramine A5095 Series

Front: Rigid axle with wheel end planetary and Nospin® differential lock type

Rear: Oscillating mounted axle with wheel end planetary and standard differential

Dropbox: Mounted on rear axle

OSCILLATION

Rear axle mounted on oscillation frame with 12° articulation (6 degrees in each side)

ELECTRIC SYSTEM: 12V

Sealed electrical system with replaceable harness

Battery: 12V 105 Ah

Starter & Accessories: 12V

Alternator: 95A

2 Front & 2 Rear lights : 12V-H3-55W

HYDRAULIC SYSTEM

Suction strainer 100 microns

Return filter : 25 microns cartridge

Fluid: Class 68

Hydraulic tandem gear type pump

Hydraulic Pilot Steering & Bucket Controls

Hydraulic Cylinders, double acting type:

One (1) Stab (Ø piston: 125 mm)

One (1) Hoist (Ø piston: 125 mm)

Two (2) Steering (Ø piston: 63 mm)

BRAKES

Service: Hydrostatic brakes with pedal control and spring applied multi-disc assistance.

Parking & Emergency: LCB multi-discs, Spring Apply Hydraulic Release, mounted in rear Axle

Manual and/or automatic actuation in case of energy loss (hydraulic, electric, engine) and when operator is out of the seat.

TIRES

Michelin 7,5R15 X-Mine D2

Mounted on demountable rims

TANK CAPACITY

Fuel: 50 L (Bolted)

Hydraulic: 80 L (Welded to frame)

Hydrostatic: 70 L (Welded to frame)

All tanks with access cover (easy cleaning)

OPERATOR'S COMPARTMENT

Side Seated Operator, for better visibility in both directions

Seat with suspension, armrests and safety belt

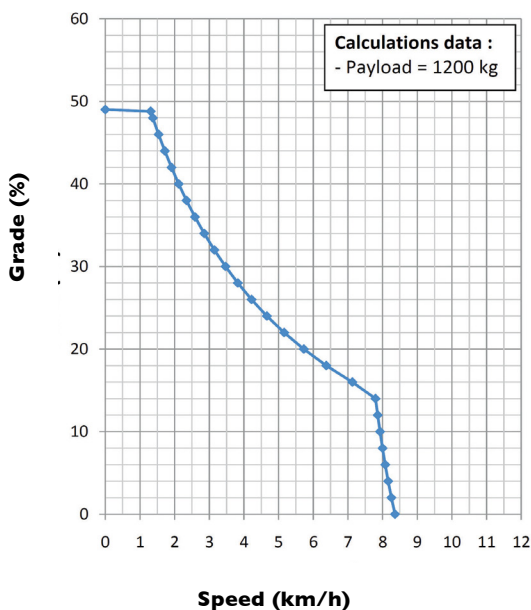
Ergonomically located Steer & Bucket pilot joystick

ROPS/FOPS Certified bolted Canopy with Back

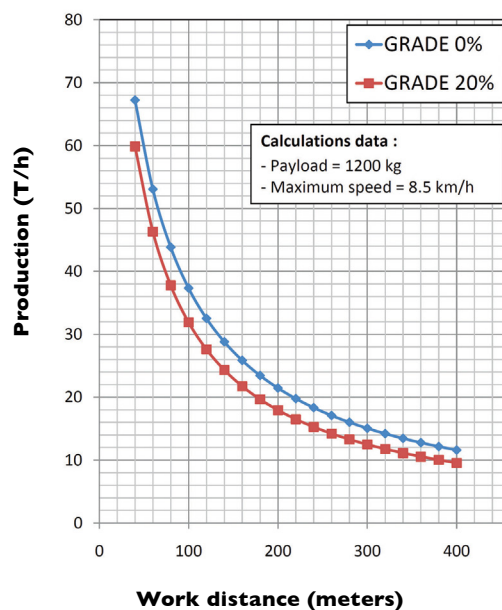
Protection

PERFORMANCES

SPEED ON GRADE



PRODUCTION IN T/h



STANDARD EQUIPMENTS

- Certified ROPS/FOPS Canopy over operator
- Hydrostatic Transmission
- Pilot Operated Steering Joystick (Left).
- Pilot Operated Bucket Joystick (Right) with Fwd, Neut & Rev integrated buttons
- Seat with armrest and seat belt and safety device to lock controls.
- Dashboard with Default Indic Gage, Front & Rear lights and Horn switch. Engine Stop/Start keyed switch
- Manual centralized lube system
- Back Up Audio Alarm
- Glow plug for cold starting
- Replaceable inserts to central hinge, bucket and boom articulations
- Dump Cylinder Protection
- Safety Central hinge locking device
- Safety Boom Raised locking device
- Brake test system
- Michelin 7,5R15 X-Mine D2

OPTIONS

- Automatic lube system
- Extinguisher
- Fire Suppressions system (Powder or Watermist)
- Radio Remote Control system RRC
- High Altitude compensation (Deutz)
- LED compact light
- Back-Up Visual Alarm
- Operator's door with bucket & steering interlock when door's open
- Gear basket «Fit in» bucket
- Bucket with high abrasive reinforcement
- EOD Bucket with pusher blade
- Complementary Service & Park Spring Applied multidisc brake

L130D miniLoader® TECHNICAL SPECIFICATIONS
En20170612

