

MINETRUCK® T1601C

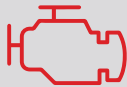
DIESEL

16 t

7,5m³



ARTICULATED
LOW PROFILE



TIER 3 ENGINE
CE



BEST COMFORT
& ERGONOMY



BETTER VISIBILITY
IN BOTH DIRECTIONS

SAFETY & RELIABILITY FOR
THE TOUGHEST APPLICATIONS

 **Aramine**
NEVER STOP MINING

MINING TRUCK® T1601C

DIESEL

CUMMINS
ENGINE
TIER 3

CANBUS
SYSTEM WITH DCS*
**DATA COLLECT SYSTEM*

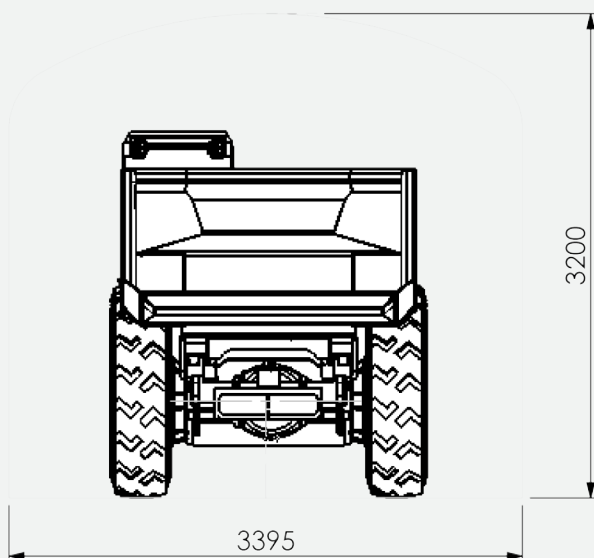
OPEN OR
ENCLOSED
CABIN



FROM 12M² TO 18M² GALLERY SECTIONS

Safety and reliability are at the heart of Aramine's products, making our mining trucks a reference in underground mines.

Developed for small and medium-sized sections, our 15- and 18-tonne mining trucks are designed for the toughest applications.

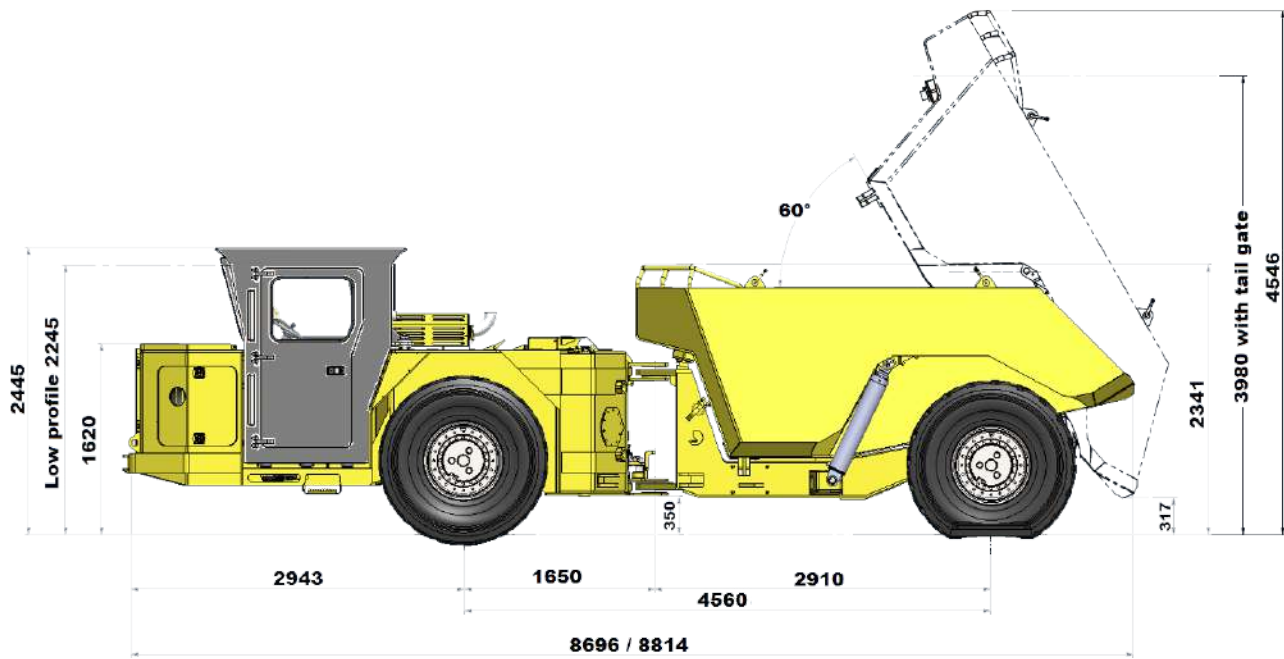


Comply
to EC
register

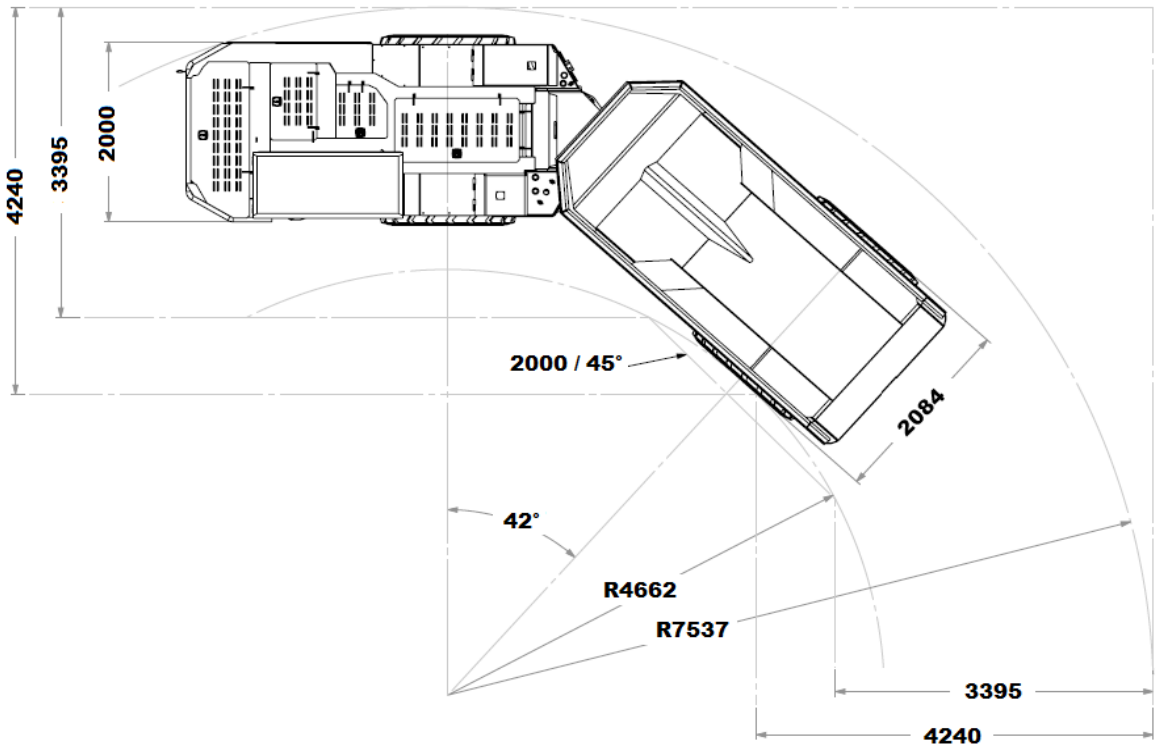


Designed
& made in





* All dimensions in mm



SPECIFICATIONS

CAPACITIES

Tramming capacity	16 t
Dump box volume in dome	7,5 m ³

VEHICLE SPEED

Forward or Reverse with 3% rolling resistance				
Gear	1st	2nd	3rd	4th
Speed in km/h	4.5	8.1	13.8	21.5

DISCHARGING

Time	12 seconds
------	------------

ENGINE

Cummins tier 3 QSB6.7
 MSHA Power Rating @ 2200 rpm 164kW/220HP
 Max Torque @ 1,500 rpm 949 Nm
 Displacement 6.7L

EXHAUST SYSTEM

Catalytic purifier, exhaust silencer

TRANSMISSION

Dana R-32000 Series
 Fully Power Shift Transmission
 4 Speeds Forward, Reverse
 Gear shift with electrical control or automatic mode

TORQUE CONVERTER

Dana CL 323.1
 With automatic lock-up

AXLES

Dana 16D with standard differentials and wheel-end planetaries
 Posi-Stop brake in each wheel-end with forced cooling system

BRAKE SYSTEM

With both axle options
 Spring Applied Hydraulically Released in each wheel end
 Parking and Emergency : same as service in each wheel end, manually applied by push button
 Auto Brake Apply in case of : Hydr Press Loss, Transm Press Loss, Elect Failure

WHEEL & TIRES

14.00R24 deeplog type for mining application

HYDRAULIC SYSTEM

Cylinders Double Acting with Chrome Plated Stems

Steering Cylinders (x2)	Diameter 110mm
Hoist Cylinders (x2)	2 Stages
First stage Diameter	140 mm
Second stage Diameter	95 mm

Pumps : heavy duty gear type for steering /dump/brake
 Filtration Suction Line : 25Micron

ELECTRICAL SYSTEM

24 Volt Starting, 24 Volt Accessories
 Fully sealed electrical system with replaceable harnesses
 Canbus type System for easy monitoring, and control of each function
 LED type lights

FRAME

Strong welded power frame with independant rubber
 Mounted cabin, well protection and accessible water
 Cooled Engine and radiator cooling system

OPERATOR'S COMPARTMENT

Orbitrol steering wheel
 Dashboard with all controls & indicator screen
 Operator seat with suspension & safety belt
 Built-in-cab armrest for high ergonomics and a perfect operator position
 Rubber mounted open cabin

TANK CAPACITY

Fuel	220 L
Hydraulic Oil	210 L

DUMP BOX

Strong welded Box with angled corner for better protection, smooth interior for easy material unloading
 Rear tailgate type to avoid material spilling during tramming
 Optional rear mechanical tail gate to increase capacity and avoid material spillage on grade
 Optional telescopic DumpBox for unloading on low back height or backfilling application

OPTIONS

Stage V – Tier4 final engine VOLVO model TAD583VE
 MSHA Approval
 Power Rating 175 kW / 238 HP @ 2,200 rpm
 Max Torque 975 N.m @ 1,380 rpm
 Liquid cooled
 DPF / SCR aftertreatment system
 Engine displacement 5.1 L

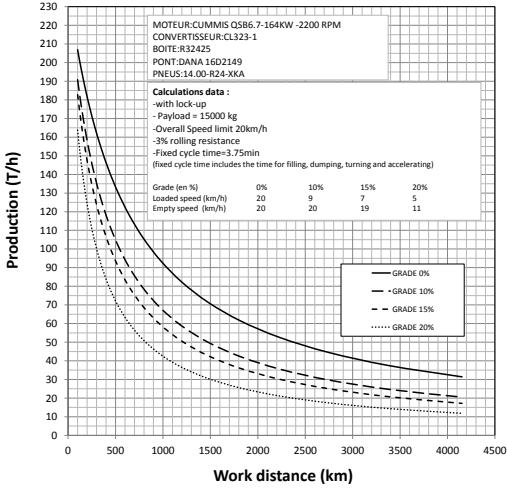
Fire suppression system ANSUL
 Auto Lube system
 Enclosed pressurized cabin with AirCooled and Heater
 Cement mixer drum (5 to 8 m³)
 DumpBox without front balcony for limited dumping height
 DumpBox with automatic tailgate
 Fully enclosed Low Profile cabin with sound suppression, pressurisation, air cooled, heater, wind shield washer and wipers



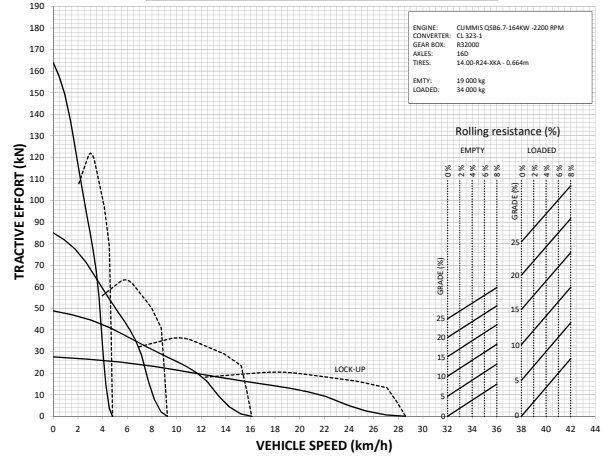
PERFORMANCES

WITH CUMMINS TIER 3 ENGINE

T1601C PRODUCTIVITY CURVE

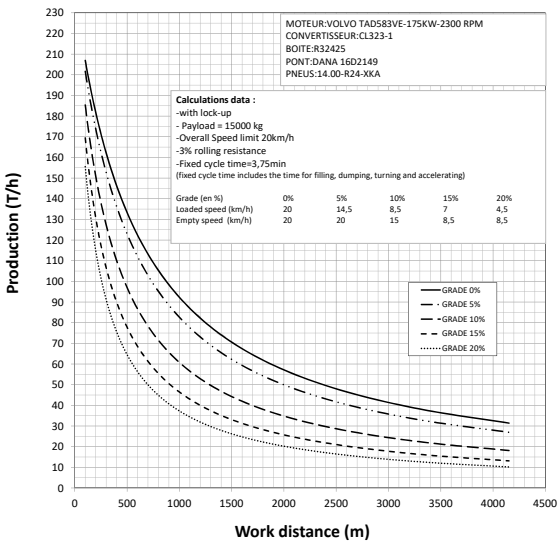


T1601C TRACTIVE EFFORT CURVE

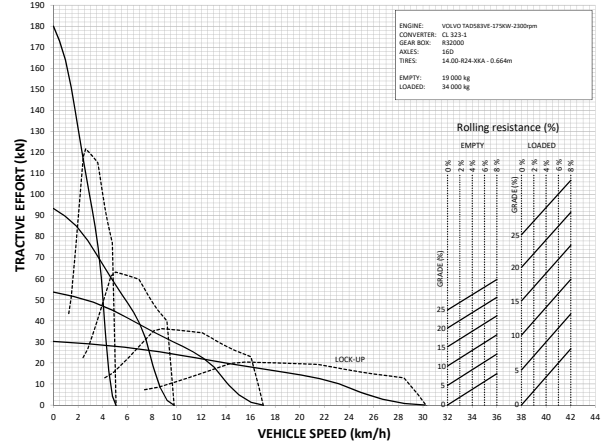


WITH VOLVO TIER 4 ENGINE

T1601C PRODUCTIVITY CURVE



T1601C TRACTIVE EFFORT CURVE



NEVER STOP MINING



PAAP-BP 60205
158 Rue Henri Bessemer
13796 Aix en Provence
+33(0) 04 42 53 53 00
info@aramine.com
www.aramine.com
www.shop.aramine.com

